

MODÈLE/MODEL
BR-AF-H2

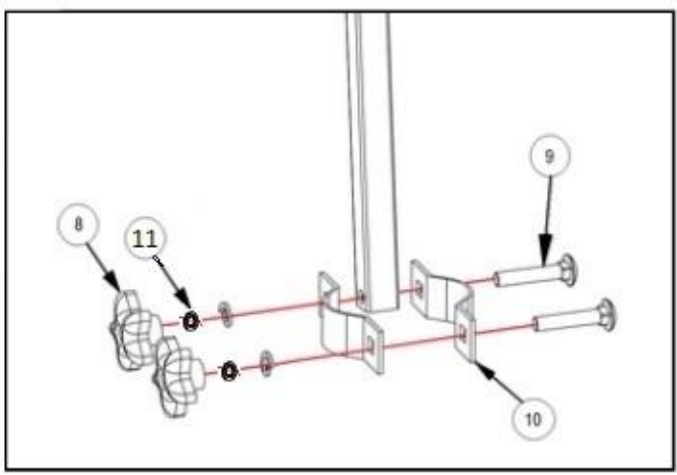
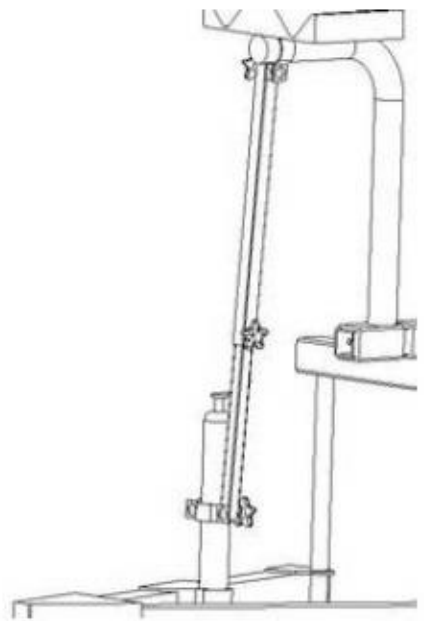
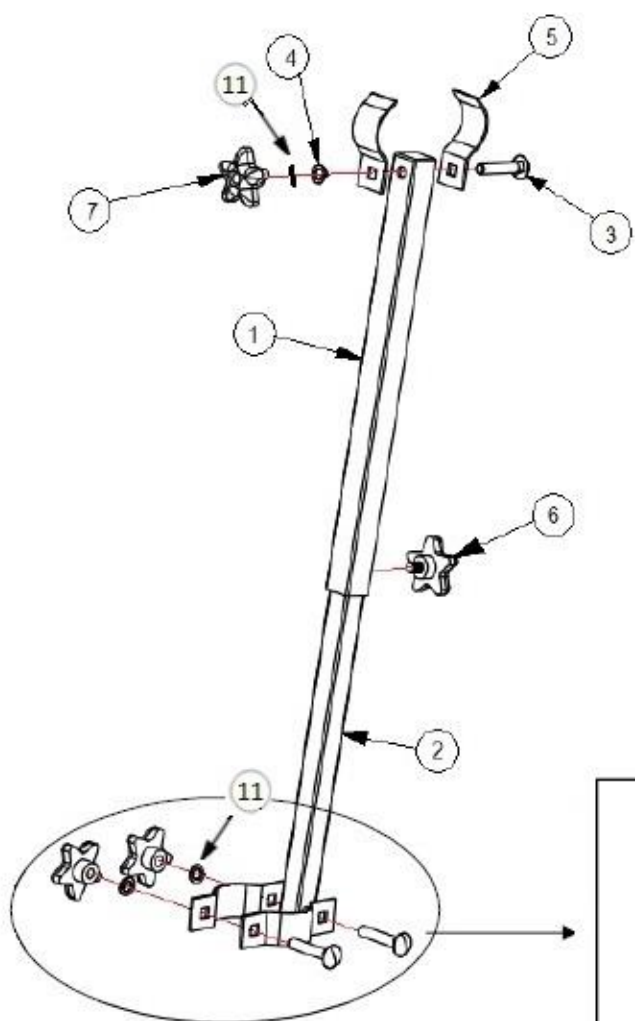


ARVIKA.CA

1-888-690-0096
1125 ROUTE ÉDOUARD VII, SAINT-PHILIPPE



1 888 690-0096



ARVIKA MARKETING		
PART LIST : BR-AFH2		
Item no.	Part no.	Qté/Qty
1	1 ¼ x 1 ¼ x 24	1
2	1x1x28	1
3	Vis/Screw 5/16 x2 ½	1
4	Rondelle frein/Lock washer 5/16	3
5	Plaque 1 trou/Plate 1 hole	2
6	P-0923-M 5/16	1
7	P-0923-F 5/16	1
8	P-0923-F 5/16	2
9	Vis/Screw 5/16 x 3	2
10	Plaque 2 trous /Plate 2 holes	2
11	Rondelle / washer 5/16	3