

MODÈLE/MODEL
BR-5W

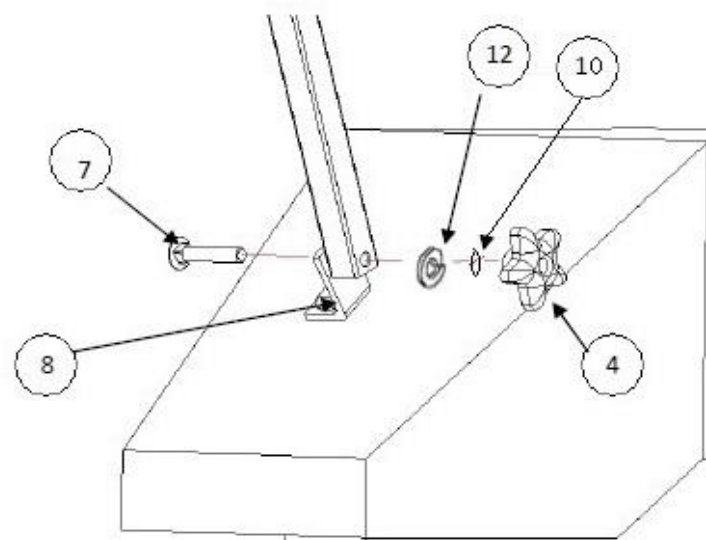
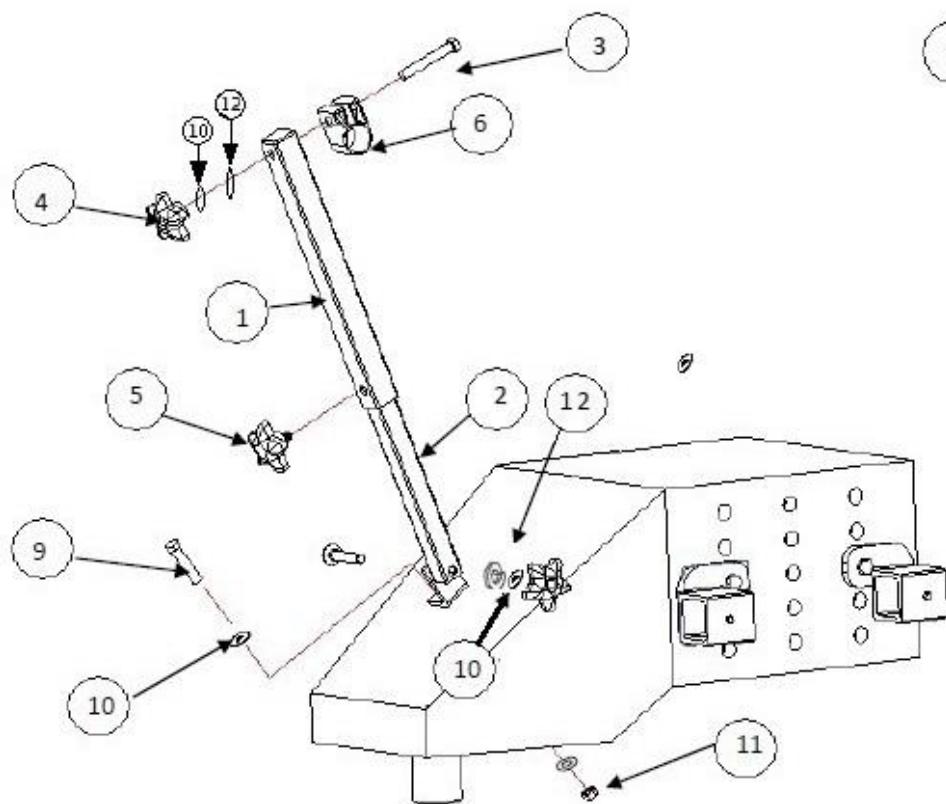


ARVIKA.CA

1-888-690-0096
1125 ROUTE ÉDOUARD VII, SAINT-PHILPPE

ARVIKA.ca

BR-5W



ARVIKA MARKETING

LISTE/PART LIST: BR-5W

| Item number | Part number | QTY |
|-------------|---------------------------------|-----|
| 1 | 1 ¼ x1 ¼ x 20 | 1 |
| 2 | 1 x 1 x 24 | 1 |
| 3 | Vis/Screw 5/16 x 3 | 1 |
| 4 | P-0923-F 5/16 | 2 |
| 5 | P-0923-M 5/16 | 1 |
| 6 | Attache/Clamp P-0910 | 1 |
| 7 | Vis/Screw 5/16 x 2½ | 1 |
| 8 | Équerre/Square | 1 |
| 9 | Vis/Screw 5/16 x 1¼ | 1 |
| 10 | Rondelle / Washer 5/16 | 2 |
| 11 | Écrou/Nut 5/16 | 1 |
| 12 | Rondelle frein/Lock washer 5/16 | 1 |