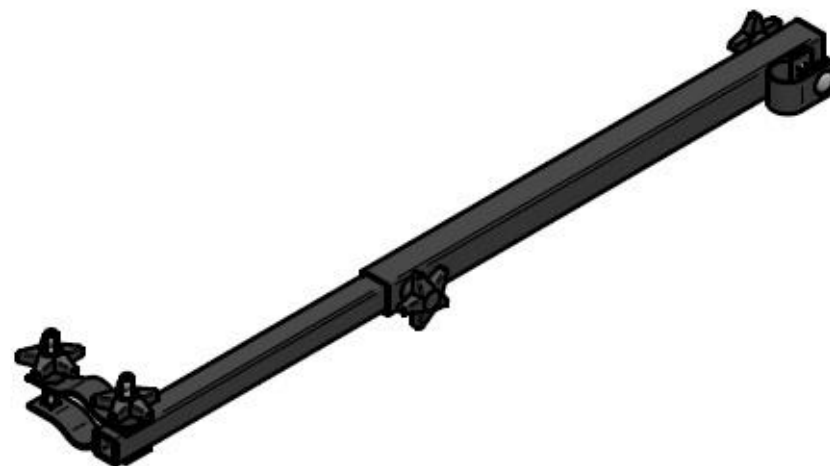


MODÈLE/MODEL
BR-AF

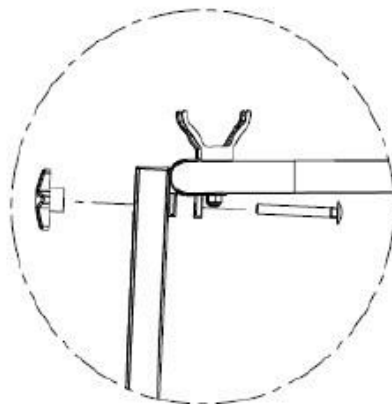
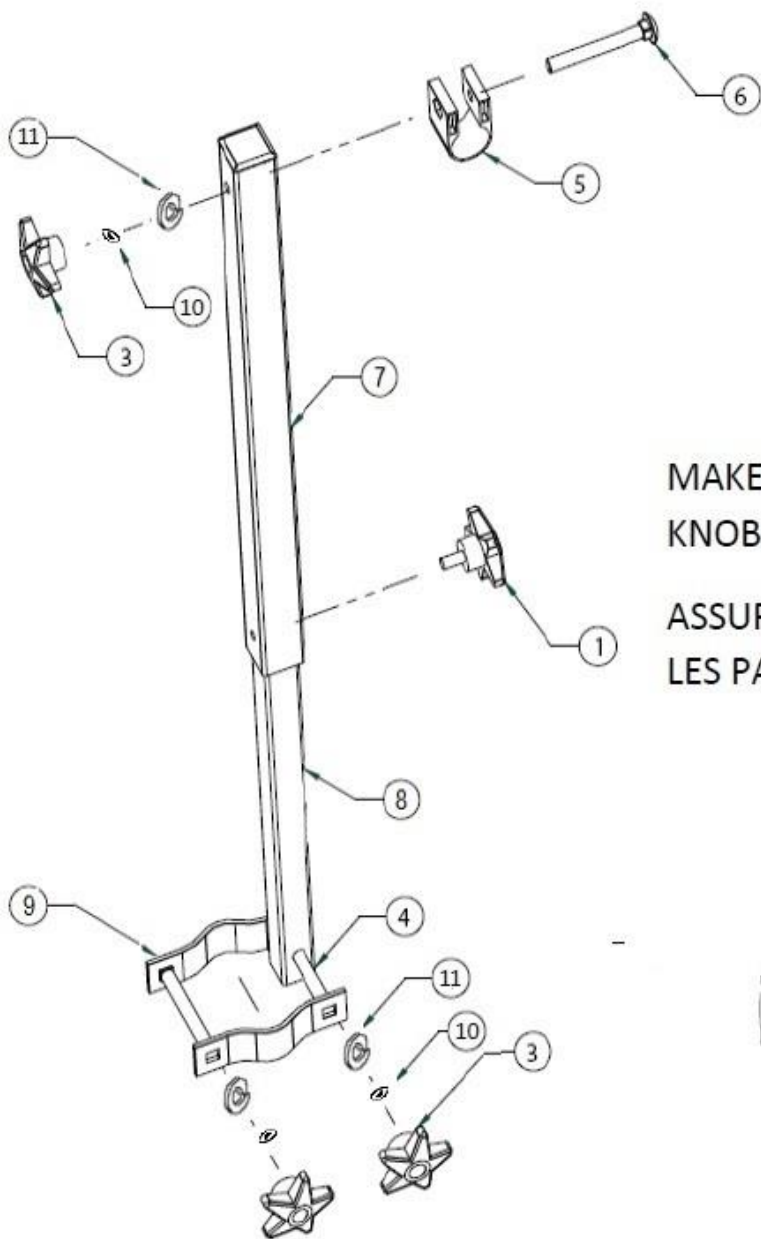


ARVIKA.CA

1-888-690-0096
1125 ROUTE ÉDOUARD VII, SAINT-PHILIPPE

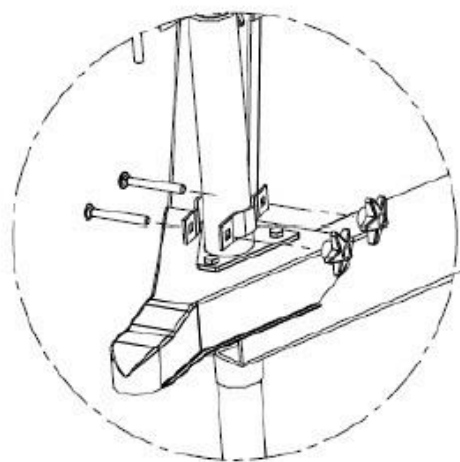
ARVIKA.ca

1 888 690-0096



MAKE SURE TO TIGHTEN THE
KNOB ENOUGH

ASSUREZ-VOUS DE BIEN SERRER
LES PAPILLONS



ARVIKA MARKETING

LISTE DE PIÈCES / PARTS LIST: BR-AF

| Item No. | Part no. | Qté/Qty |
|----------|---------------------------------|---------|
| 1 | P-0923-M 5/16 | 1 |
| 3 | P-0923-F 5/16 | 3 |
| 4 | Vis/Screw 5/16 x 3 | 2 |
| 5 | Attache/Clamp (P-0910) | 1 |
| 6 | Vis/Screw 5/16 x 3 | 1 |
| 7 | 1 ¼ x 1 ¼ x 20 | 1 |
| 8 | 1 x 1 x 24 | 1 |
| 9 | Plaque/Plate | 2 |
| 10 | Rondelle / Washer 5/16 | 3 |
| 11 | Rondelle frein/Lock washer 5/16 | 3 |